



TLPII COFFEE BREWING SYSTEM

Ultra Compact, Low Profile



TLPII
(Shown with optional
2.5L Airpot)

Enhanced Design Ultra Compact Airpot Brewing Systems.

Curtis sets a new standard for ultra compact airpot coffee brewing systems with the TLPII. This enhanced design system combines renowned Curtis brewing expertise with the latest in digital technology. This design offers precision digital performance, greater reliability and extended working life. The Advanced Flow Sprayhead (AFS) provides total control over brewing time, turbulence, temperature and volume – the critical aspects of brewing quality gourmet coffee.

Compact Design That Won't Crowd a Counter.

The TLPII coffee brewing system is universally designed and beautifully styled. It offers big performance yet takes up little space. At only 18" high, it easily fits anywhere from kitchen counter to conference room. The generous brew cone clearance accommodates standard 2.5L airpots and gravity airpots alike.

Features That Keep Coffee Flowing.

The TLPII is equipped with a drive pump water delivery system. The magnetic drive pump consistently delivers hot water to the AFS Sprayhead for optimized water flow and perfect extraction.

ITEM NO

PROJECT

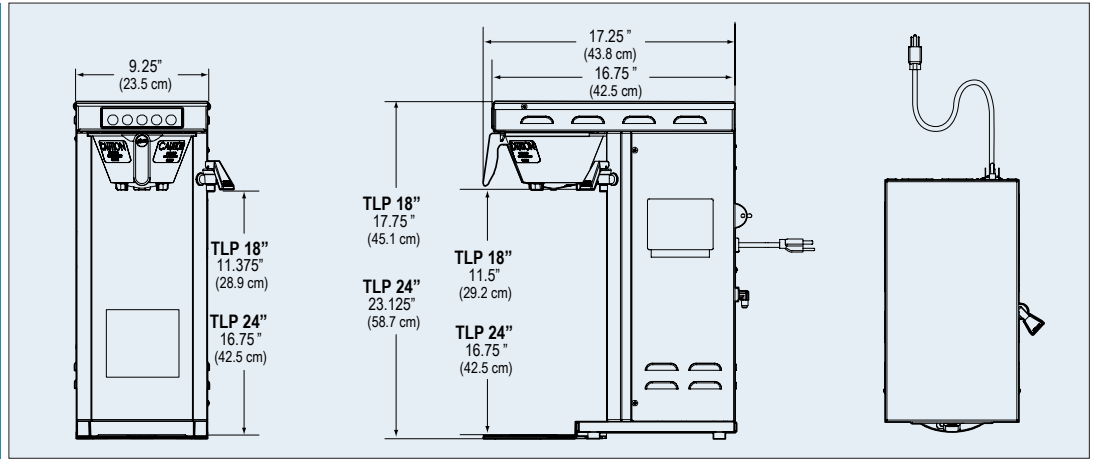
DATE

FEATURES AT A GLANCE

- **Advanced Digital System** – Fully enclosed smart card control module delivers precision performance and superior reliability.
- **Touch Controls** – Provides million-cycle switches and protection from spare parts handling damage.
- **Pulse Brew Technology** – Choice of three pulse brew options for optimal coffee flavor and brewing excellence.
- **Programmable Brewing Volume** – Factory preset for 2.5L (84.5 oz.) airpots.
- **Brew Cycle Counter** – Tracks brew cycles.
- **Programmable Temperature Control** – Factory preset to 200°F. Temperature is easily adjusted in 2°F increments from 170° to 206° F for optimum coffee quality. Keeps brew temperature constant. Easily handles back-to-back brewing cycles. Plus, liquid level control interface prevents element burnout.
- **External/Non-Immersed Temperature Sensor** – Eliminates mineral build-up.
- **Convenient Hot Water** – Draw hot water for tea, hot chocolate or soup – even during the brew cycle. Optional left side faucet available.
- **Innovative AFS Sprayhead** – Perfectly saturates the coffee grounds to extract the richest, fullest flavor from every type of coffee, resulting in a perfect brew every time.
- **Quick and Simple Installation** – Standard 120VAC operation.

TLP 18"

TLP 24"



SPECIFICATIONS	Brewing Heads	Brew Capacity Full Brew	Brew Capacity Half Brew	Dimensions (H x W x D)	Airpot Clearance	Electrical	Power Requirements	Cord & Plug	Water Source*	Ship Weight (lbs.)	Cube (cu. ft.)
TLP 18"	1	2.5L (84.5 oz)	1.25L (42.25 oz)	17.75" x 9.25" x 16.75"	11.5"	120VAC/60Hz	1500W/12.5A	6 ft./NEMA 5-15P	.75" Flare	26 lbs.	3.478
TLP 24"	1	2.5L (84.5 oz)	1.25L (42.25 oz)	23.125" x 9.25" x 16.75"	16.75"	120VAC/60Hz	1500W/12.5A	6 ft./NEMA 5-15P	.75" Flare	35 lbs.	5.73

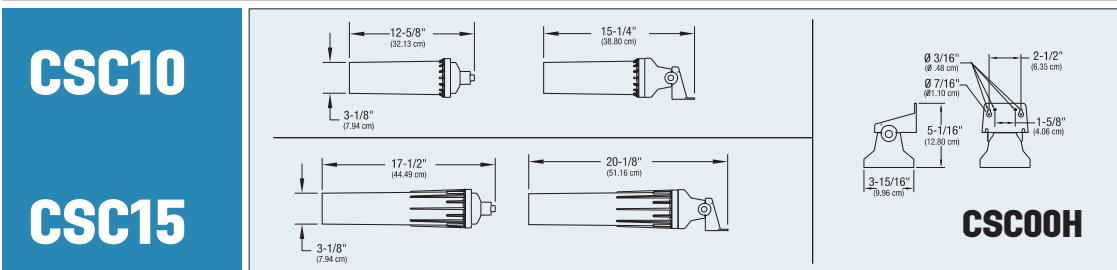
* Water Filtration Device Recommended

SERVERS

SPECIFICATIONS	Finished Brew Capacity	Master Pack	Clearance for Airpot	Shipping Weight (lbs.)	Cube (cu. ft.)
TLXA25	2.5L	6	11"	32 lbs.	3.79
CAP-T1*	2.5L	1	16.5"	5 lbs.	.73
CAP-TIPS	N/A	1	Plastic Stand for CAPT25	2 lbs.	.25

* For TLP 24" Only

ACCESSORY ITEMS



CSC10 Water Filter CSC15 Water Filter

Specifications	Application/Description	Rated Life* (Gallons)	Flow (GPM)	Micron Rating	Pressure Range (psi)	Temperature Range (°F)	Water Connection	Ship. Wt.** (lbs.)	Cube** (cu. ft.)
CSC10AC00 with Head	Chlorine & Sediment Removal, Scale Prevention/OCS	10,000	1.65	10	35-125psi	35-100°F	3/8" FNPT	17	1.23
CSC10CC00 Cartridge Only	Chlorine & Sediment Removal, Scale Prevention/OCS	10,000	1.65	10	35-125psi	35-100°F		15	1.23
CSC15AC00 with Head	Chlorine & Sediment Removal, Scale Prevention/OCS	15,000	2.0	10	35-125psi	35-100°F	3/8" FNPT	23	1.69
CSC15CC00 Cartridge Only	Chlorine & Sediment Removal, Scale Prevention/OCS	15,000	2.0	10	35-125psi	35-100°F		21	1.69

* Rated Life is for Chlorine Removal. To ensure proper control of scale, filters should be replaced every 6 months.

** Shipping Weight and Cube are per cases of 6.



WILBUR CURTIS COMPANY, INC.

6913 Acco Street, Montebello, CA 90640-5403
 Telephone: 800-421-6150 · 323-837-2300
 Fax: 323-837-2406
 www.wilburcurtis.com

